

# Sauna heater

## Concept R mini combi

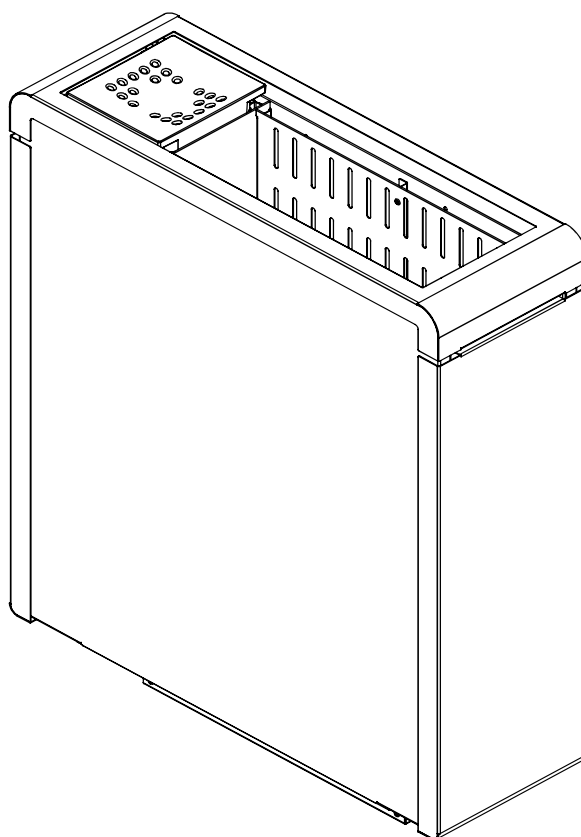
CP-RMC-35 / 1-041-405: Concept R mini combi 3.5 kW

CP-RMC-45 / 1-041-406: Concept R mini combi 4.5 kW

CP-RMC-60 / 1-041-407: Concept R mini combi 6.0 kW

CP-RMC-75 / 1-041-408: Concept R mini combi 7.5 kW

### INSTRUCTIONS FOR INSTALLATION AND USE English



EN

# Table of Contents

<b>1. About this instruction manual</b>	<b>4</b>
<b>2. Important information for your safety</b>	<b>5</b>
2.1. Intended use	5
2.2. Safety information for the installer	5
2.3. Safety information for the user	7
<b>3. Product description</b>	<b>9</b>
3.1. Scope of delivery	9
3.2. Accessories	9
3.3. Product functions	9
<b>4. Installation and connection</b>	<b>10</b>
4.1. Installation location and sensor position	10
4.2. Safety intervals	11
4.3. Installation on the cabin wall	12
4.4. Installation with foot (optional)	14
4.5. Connection diagram for 400V 3N~	16
4.6. Connection diagram for 230V 1N~	17
4.7. Wiring diagrams	18
4.8. Electrical connection	19
4.9. Installing the heater railing (optional)	20
<b>5. Commissioning</b>	<b>23</b>
5.1. Filling the stone container	23
5.2. Inserting the ceramic bowl	23
5.3. Heating for the first time	24

<b>6. Operation</b>	<b>25</b>
6.1. Finnish sauna mode	25
6.2. Combi mode	26
<b>7. Maintenance</b>	<b>28</b>
7.1. Extended periods of non-use	28
7.2. Cleaning the sauna heater	28
7.3. Changing the sauna stones	29
7.4. Cleaning the evaporator tank	29
7.5. Cleaning the ceramic bowl	30
7.6. Descaling the evaporator tank	30
<b>8. Disposal</b>	<b>30</b>
<b>9. Problem-solving by the installer</b>	<b>31</b>
<b>10. Technical data</b>	<b>32</b>

# 1. About this instruction manual

Carefully read these instructions for installation and use, and keep them near the sauna. This ensures that you can refer to information about your safety and the operation at any time.



These installation and operating instructions can also be found in the downloads section of our website: [www.sentiotec.com/downloads](http://www.sentiotec.com/downloads).

## ***Symbols used for warning notices***

In these instructions for installation and use, a warning notice located next to an activity indicates that this activity poses a risk. Always observe the warning notices. This prevents damage to property and injuries, which in the worst case may be fatal.

The warning notices contain keywords, which have the following meanings:



### **DANGER!**

Serious or fatal injury will occur if this warning notice is not observed.



### **WARNING!**

Serious or fatal injury can occur if this warning notice is not observed.



### **CAUTION!**

Minor injuries can occur if this warning notice is not observed.

## **ATTENTION!**

This keyword is a warning that damage to property can occur.

## ***Other symbols***



This symbol indicates tips and useful information.



Do not cover



Read the operating instructions

## 2. Important information for your safety

The Concept R mini combi sauna heater has been produced in accordance with the applicable safety rules and regulations. However, hazards may occur during use. Therefore adhere to the following safety information and the specific warning notices in the individual chapters.

### 2.1. Intended use

The Concept R mini combi is a sauna heater with integrated evaporator. The Concept R mini combi may only be used for heating sauna cabins and for increasing the humidity inside the sauna cabin. The Concept R mini combi must only be used in combination with a sauna control unit that does not include remote start functions.

Any use exceeding this scope is considered improper use. Improper use can result in damage to the product, severe injuries or death.

### 2.2. Safety information for the installer

- Installing and connecting the sauna heater may only be performed when the power supply is disconnected.
- Installation may only be performed by a qualified electrician or similarly qualified person.
- A fully disconnecting all-pole isolating device compliant with overvoltage category III must be fitted on site.
- Always use silicone cables that are heat-resistant up to 150 °C to connect the sauna heater.
- Only install one sauna heater in the cabin. The Concept R mini

combi sauna heater must not be used together with other sauna heaters in a sauna cabin.

- The roof and walls of the sauna cabin must be manufactured from low-resin, untreated or thermally treated wood, e.g. Nordic spruce, hemlock, pine or fir, or from laminated wooden materials. If laminated wooden materials are used, make sure that the adhesive used in them does not produce formaldehyde. If other materials than wood are used in the sauna cabin, these materials must be heat-resistant and corrosion-resistant and must not cause any negative effects on the health of the sauna users.
- The height of the sauna cabin must be at least 1.64 m.
- Observe the specifications on volumes and on ventilation of the sauna cabin in chapter **10. Technical data**.
- When positioning the sauna heater, observe the minimum safety distances (see chapter **4.2. Safety intervals**).
- Also comply with the regulations applicable at the installation location.
- For your own safety, consult your supplier in the event of problems that are not explained in sufficient detail in the installation instructions.

### **2.3. Safety information for the user**

- The device must not be used by children under 8 years old.
- The device may only be used by children over 8 years old, by persons with limited psychological, sensory or mental capabilities or by persons with lack of experience/knowledge under the following conditions:
  - They are supervised.
  - They have been shown how to use the device safely and are aware of the hazards that could occur.
- Children must not play with the device.
- Children under 14 years old may only clean the device if they are supervised.
- For health reasons, do not use the sauna when under the influence of alcohol, medication or drugs.
- Never operate the sauna heater without sauna stones as this can cause fires.
- Make sure that no flammable objects have been placed on the sauna heater before the sauna control unit is switched on.
- Heat up the sauna heater for half an hour **BEFORE** using the sauna for the first time. Do **NOT** remain in the sauna cabin during

this period. Then ventilate the sauna cabin well (see **5.3. Heating for the first time** on page 24).

- Never touch the sauna heater while it is operating. The surfaces of the sauna heater and sauna stones become extremely hot.
- NEVER pour water into the hot evaporator tank. Check and fill the evaporator tank each time before starting combi mode. If the overheating protection has switched off evaporator heating, or if your sauna control unit reports a lack of water, allow the evaporator to cool down BEFORE you pour water into the evaporator tank.
- For your own safety, consult your supplier in the event of problems that are not described in sufficient detail in the operating instructions.



## 3. Product description

### 3.1. Scope of delivery

- Sauna heater
- Instructions for installation and use

### 3.2. Accessories

<i>Accessories</i>	<i>Item number</i>
Set of brackets for the Concept R mini combi heater railing	CP-RMC-HSR / 1-041-410
Wood railing for Concept R mini combi, lime wood	CP-RMC-L / 1-041-412
Wood railing for Concept R mini combi, walnut	CP-RMC-N / 1-041-411
Foot for Concept R mini combi	CP-RMC-SF / 1-041-409
Cover foot for Concept R mini, lime wood	CP-RM-CSF-L / 1-041482
Cover foot for Concept R mini, walnut	CP-RM-CSF-N / 1-041-483

### 3.3. Product functions

- **Finnish sauna mode:** usually 80 to 100 °C; approx. 10% rel. humidity
- **Combi mode** (only in combination with a combi control): approx. 40 to 65 °C, 35% to 70% humidity. The maximum permissible relative humidity decreases with increasing temperature.

If you wish, you can put fragrances or dried herbs in the ceramic bowl over the evaporator in combi mode. The rising steam releases essential oils from the herbs and fragrances fill the sauna cabin.

## 4. Installation and connection

Take the following points into account when positioning and connecting the sauna heater:



### **WARNING!**

#### ***Danger of electric shock***

- The sauna heater may only be installed and connected when the power supply is disconnected.

- 
- The electrical connection may only be performed by a qualified electrician or similarly qualified person.
  - A fully disconnecting all-pole isolating device compliant with overvoltage category III must be fitted on site.
  - The Concept R mini combi sauna heater can be used as a wall-mounted heater or as a free-standing heater. When mounted to the wall, check that the heater has been firmly installed on the mounting rail before starting heater operation. When installing the device with foot, check that the footing is firm.

### 4.1. Installation location and sensor position

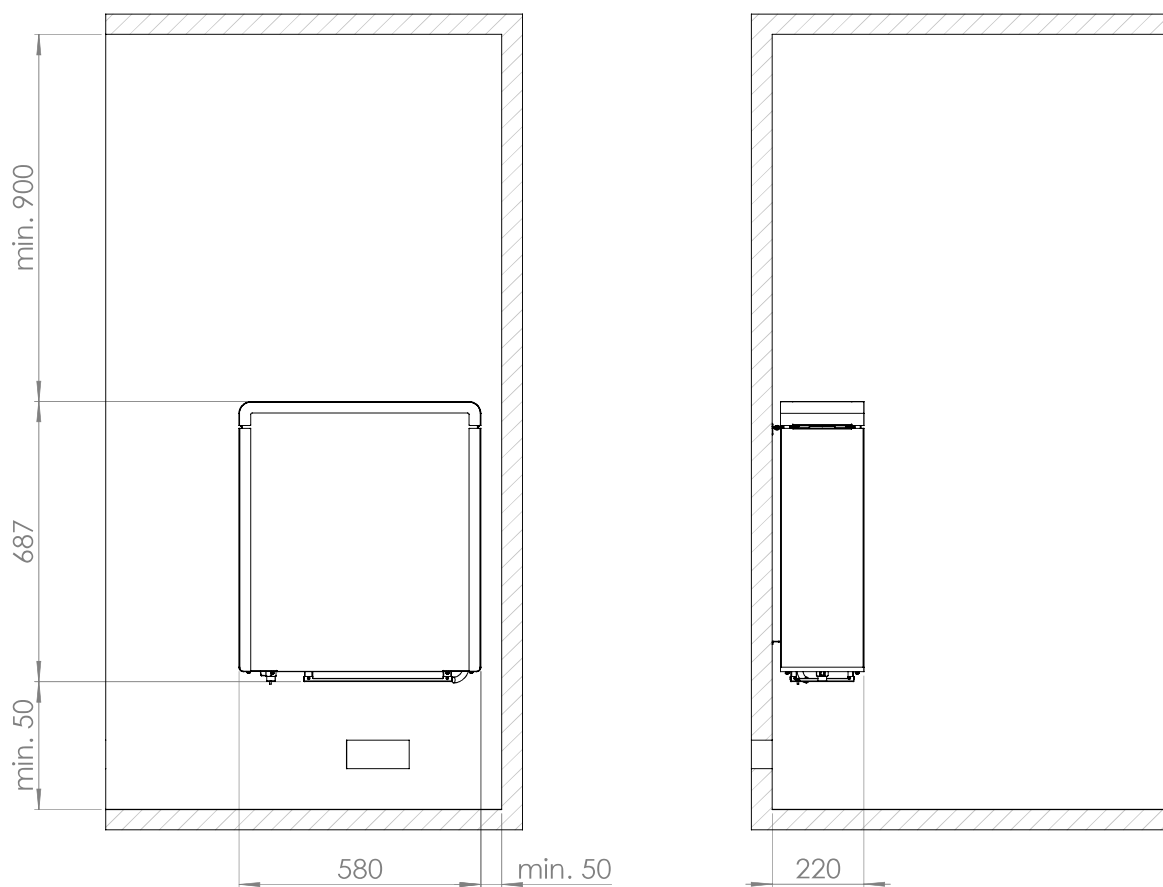
Position the heater centrally in front of the air intake opening on the cabin wall. Comply with the safety intervals to the cabin wall specified in **Fig. 1**.

Install the temperature sensor with overheat cut-out to the cabin wall above the centre of the sauna heater. Maintain a distance of 15 cm to the sauna cabin roof.

## 4.2. Safety intervals

Observe the minimum safety intervals specified in **Fig. 1**.

**Fig. 1** Safety intervals  
for the Concept R mini combi 3.5 kW, 4.5 kW, 6.0 kW and 7.5 kW  
(CP-RMC-35 / CP-RMC-45 / CR-RMC-60 / CP-RMC-75)  
Dimensions in mm



### 4.3. Installation on the cabin wall

Observe **Fig. 1**, **Fig. 2**, **Fig. 3** and **Fig. 4** (page **11**, **12**, **13**).

1. Attach the mounting rail **1** to the wall horizontally using the wood screws supplied **2**. Observe the minimum intervals for the heater shown in Fig. 1.
2. Suspend the heater **3** from the mounting rail from above, moving it downwards. Make sure that the heater is flush with the wall.
3. Secure the heater **3** using the lock screws supplied **4** on the mounting rail **1**.

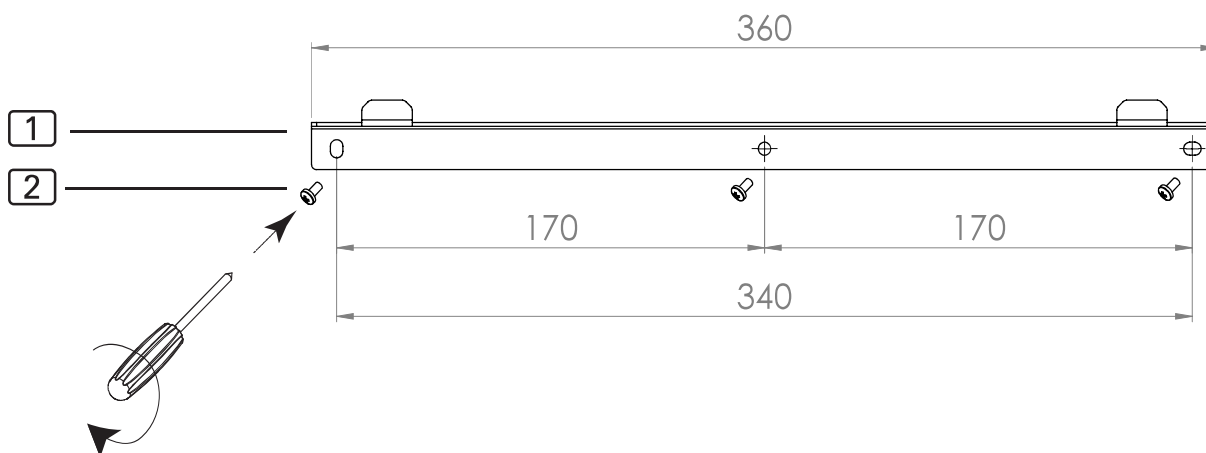


#### **WARNING!**

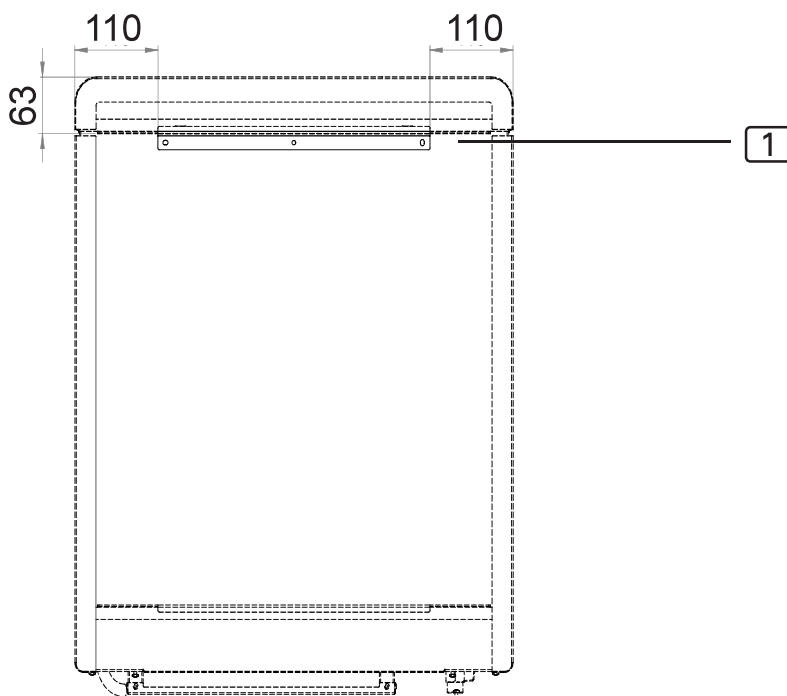
##### ***Risk of fire***

- To fix the heater in place and secure it against slippage, use the supplied lock screw **4** for attachment.

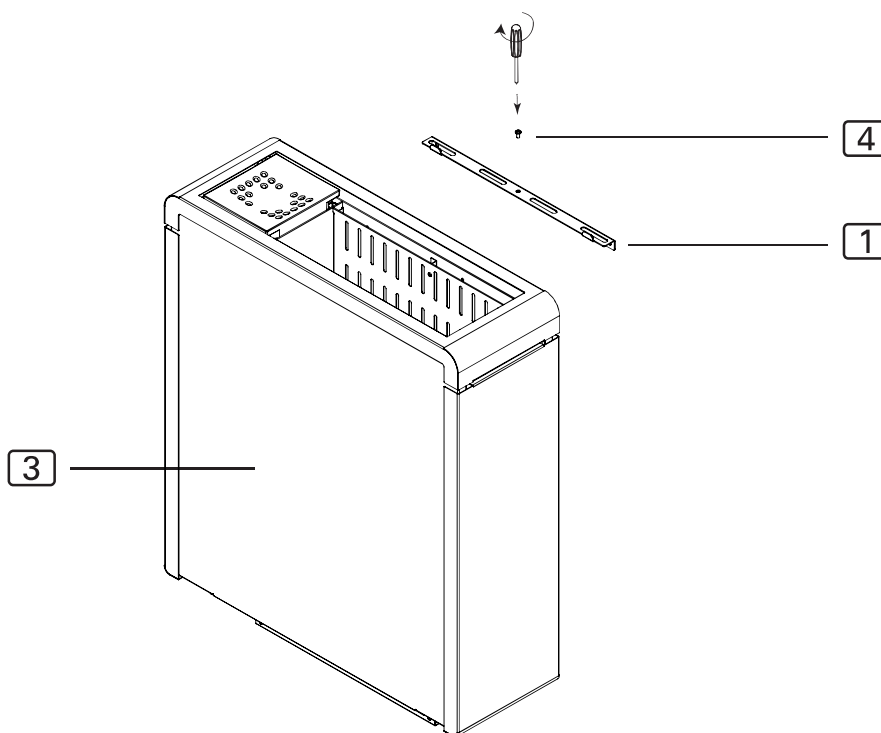
**Fig. 2** Position of the mounting rail for Concept R mini combi  
Dimensions in mm



**Fig. 3** Position of the mounting rail for Concept R mini combi  
Dimensions in mm



**Fig. 4** Securing the Concept R mini combi (mounting rail)



#### 4.4. Installation with foot (optional)

Observe **Fig. 1**, **Fig. 5**, **Fig. 6** (page 11, 14, 15).

1. Attach the foot **1** using the screws enclosed **2** to the bottom of the heater. Please note that the round recess is on the evaporator side.
2. Affix the foot using the screws enclosed to the floor (**Fig. 6**). Depending on the floor conditions, use the enclosed wood screws or anchors with the corresponding screws. Observe the minimum intervals for the heater shown in **Fig. 1**.

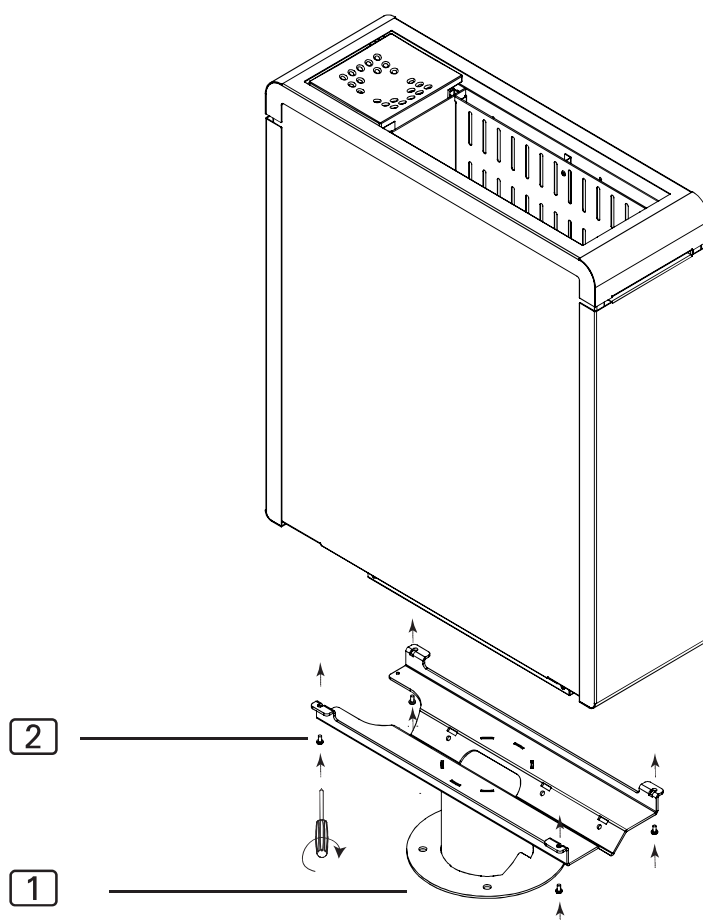


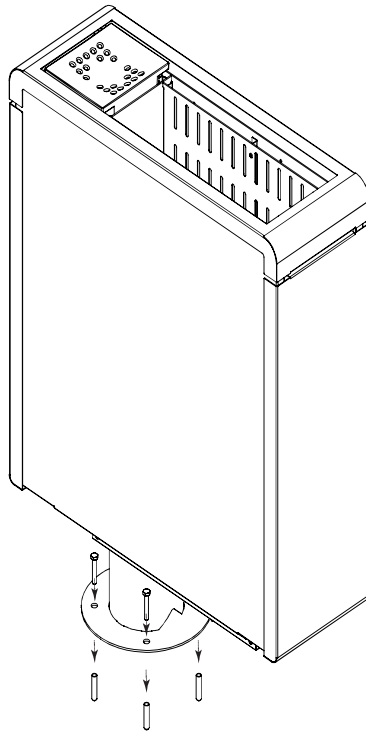
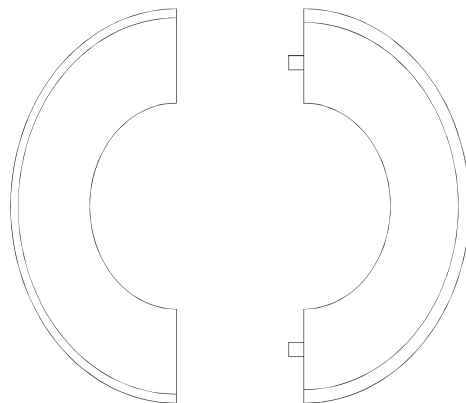
#### **WARNING!**

##### ***Risk of fire***

- Affix the heater with the foot on a sufficiently solid substrate, e.g. on the substrate onto which the sauna cabin is built – NOT on the floor covering of the sauna.

**Fig. 5** Installing the foot on the Concept R mini combi

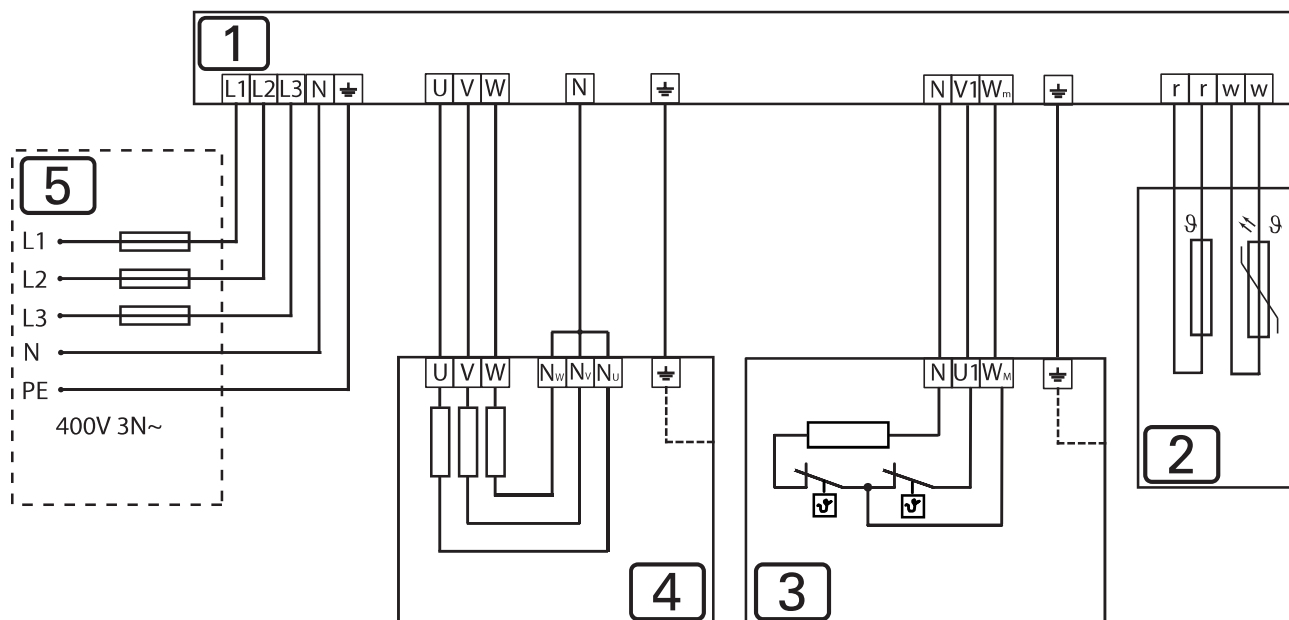


**Fig. 6** Fixing the Concept R mini combi with foot in place**Fig. 7** Installing the wooden cover for the foot (optional)

Place the two halves of the cover ring around the foot and press them together firmly to cover the screws of the foot.

### 4.5. Connection diagram for 400V 3N~

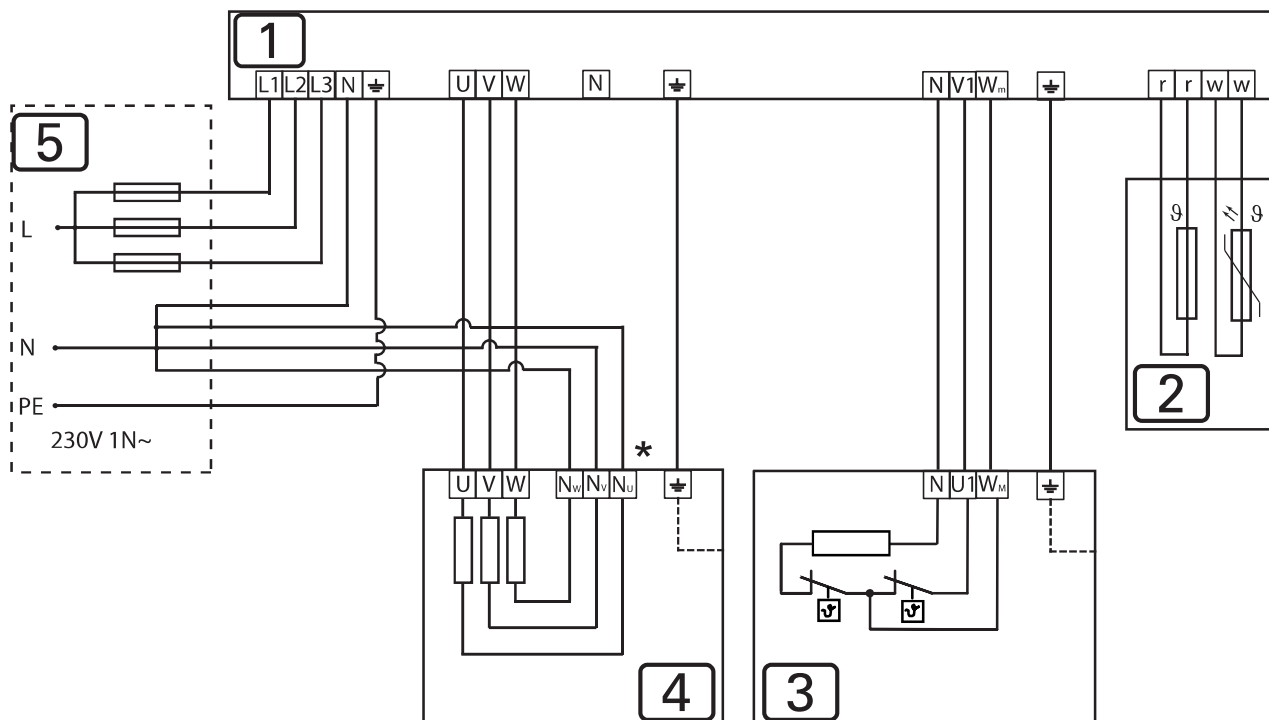
**Fig. 8** Connection diagram for the Concept R mini combi 3.5 kW, 4.5 kW, 6.0 kW and 7.5 kW  
(CP-RMC-35 / CPC-RM-45 / CR-RMC-60 / CP-RMC-75)





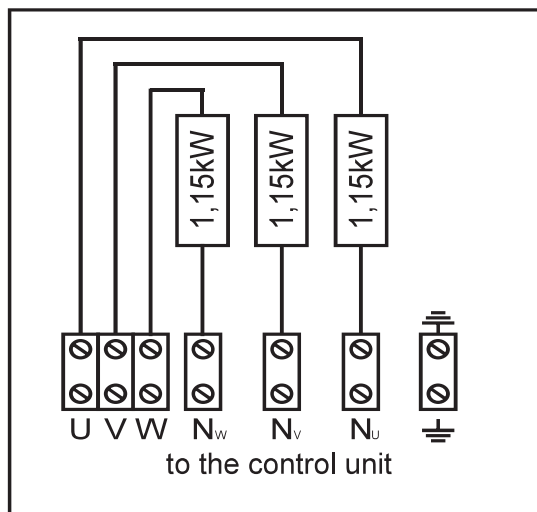
## 4.6. Connection diagram for 230V 1N~

**Fig. 9** Connection diagram for the Concept R mini combi 3.5 kW, 4.5 kW, 6.0 kW and 7.5 kW  
(CP-RMC-35 / CPC-RM-45 / CR-RMC-60 / CP-RMC-75)

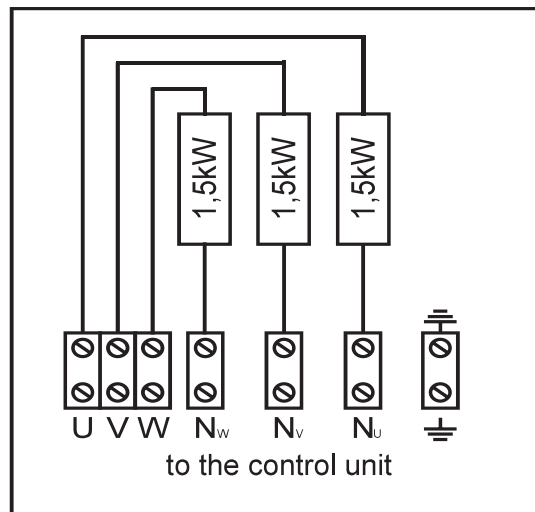


- 1 Sauna control unit
  - 2 Temperature sensor with excess temperature cut-out
  - 3 Evaporator 1.0 kW or 1.5 kW
  - 4 Heating system 3.45 kW, 4.5 kW, 6.0 kW or 7.5 kW
  - 5 Power supply
- \* Remove the copper bridge

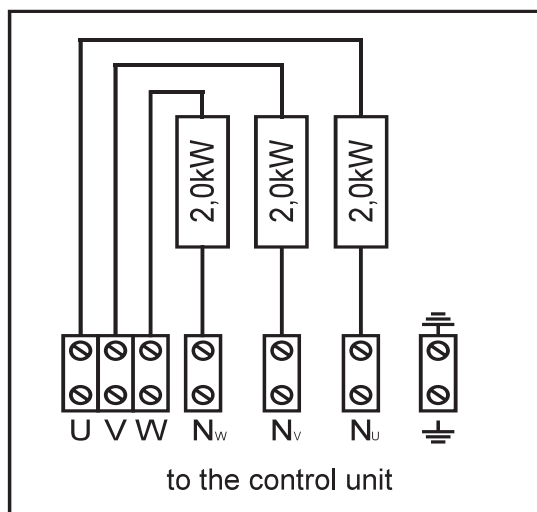
## 4.7. Wiring diagrams



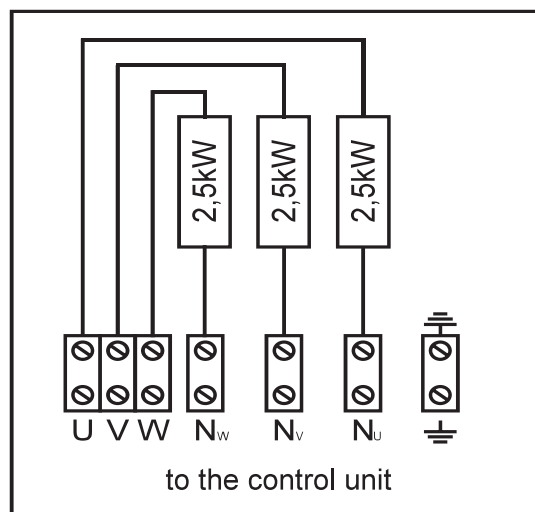
**CP-RMC-35**  
3.5 kW



**CP-RMC-45**  
4.5 kW



**CP-RMC-60**  
6.0 kW

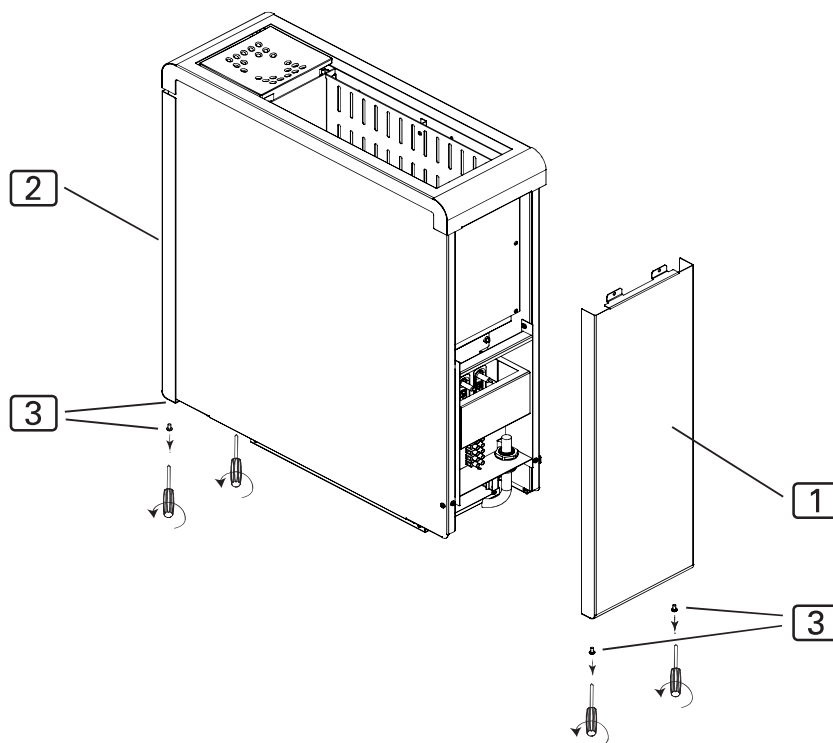


**CP-RMC-75**  
7.5 kW

## 4.8. Electrical connection

1. Unscrew the screws **3** with a screwdriver.
2. Remove the cover plates **1** and **2**.

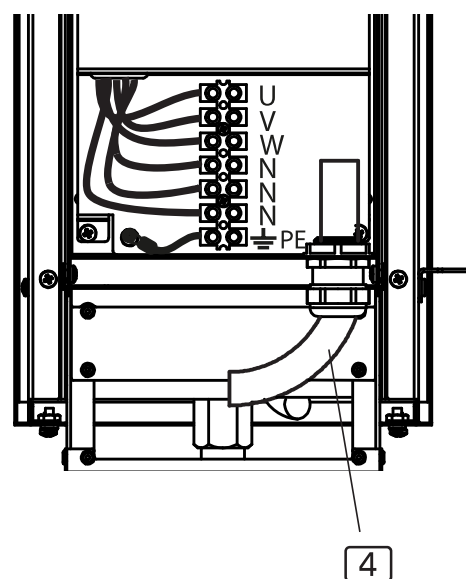
**Fig. 10** Removing the cover plates



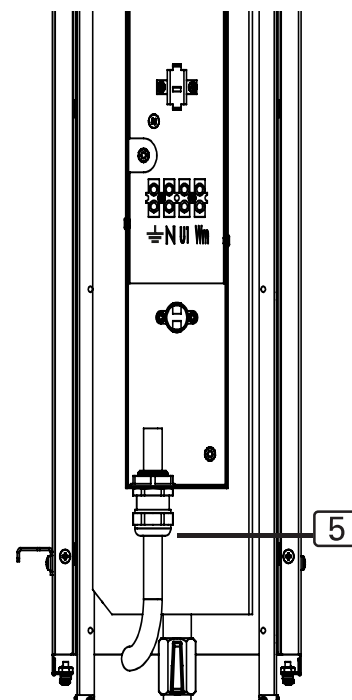
EN

### **Connecting the Concept R mini combi 3.5 kW, 4.5 kW, 6.0 kW and 7.5 kW (CP-RMC-35 / CP-RMC-45 / CR-RMC-60 / CP-RMC-75)**

1. Guide the connection cable for the heating system through the feed-through **4**.
2. Connect the wires of the connection cable to the matching terminals of the sauna heater, depending on the type of connection, and to the matching control device terminals. Observe the installation instructions for the sauna control and the connection diagrams on page 16.



3. Guide the evaporator cable through the feed-through **5**.
4. Connect the wires of the evaporator cable to the PE – N – U1 – Wm terminals on the connector block and to the matching sauna control unit terminals. Observe the installation instructions for the sauna control unit when doing so.
5. Re-attach the cover plates **1** and **2** to the sauna heater or proceed with the installation of the heater railing (optional).



#### 4.9. Installing the heater railing (optional)

1. Remove the ceramic bowl from the evaporator.
2. Remove the cover plates **1** and **2** as described in 4.9 on page 19.

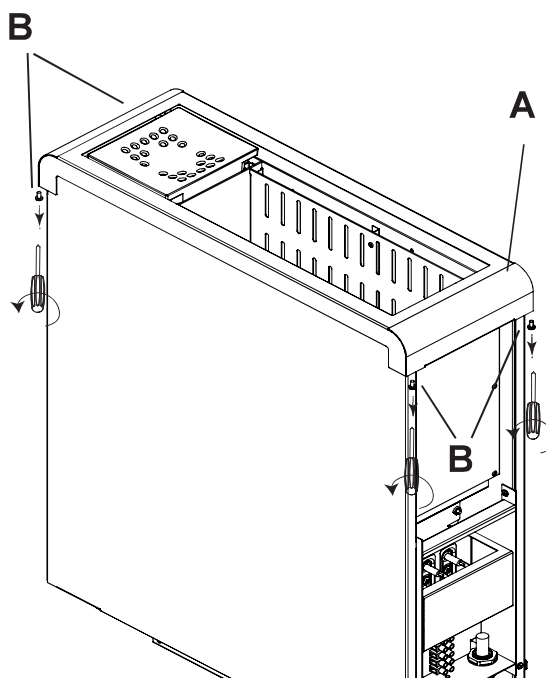
#### ATTENTION!

##### *Damage to the product*

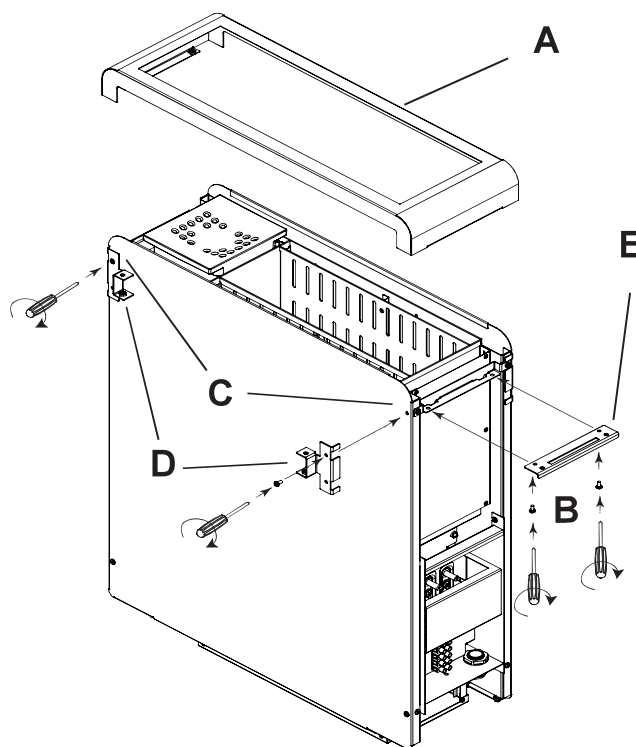
The product can be damaged by use of a cordless drill.

- Use a normal screwdriver to install the railing bracket.

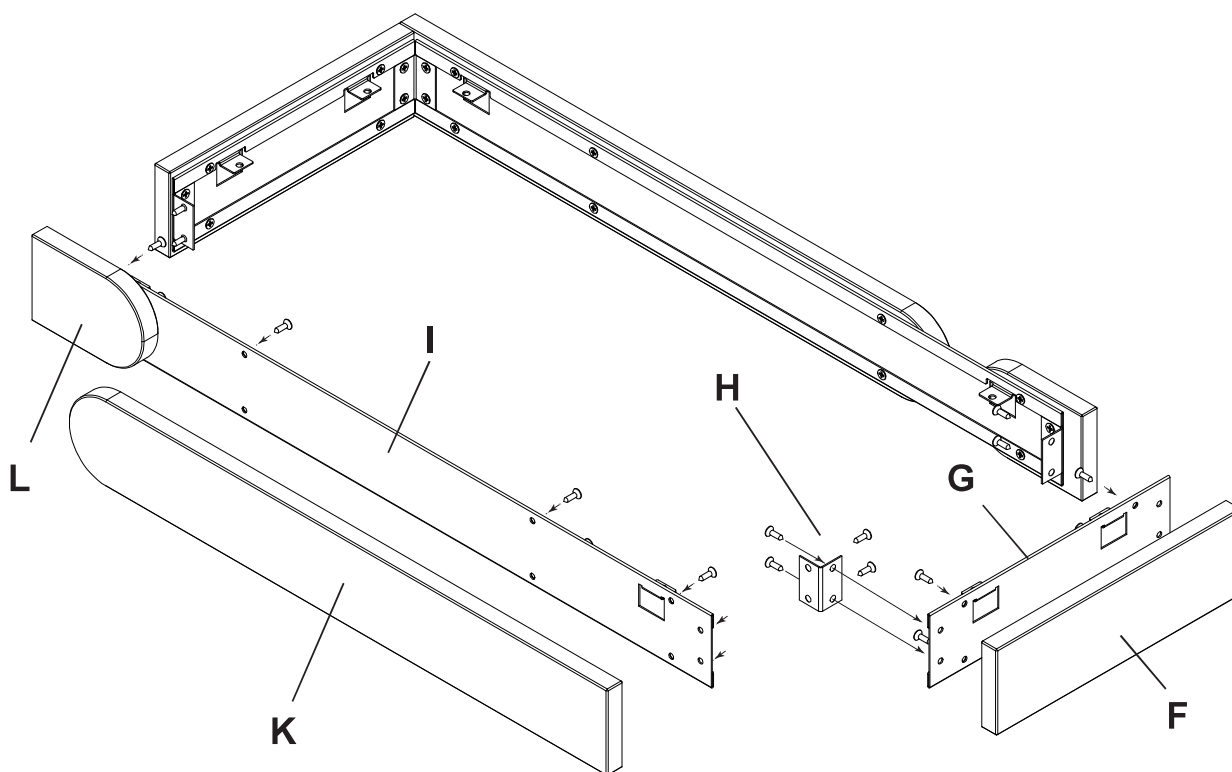
3. Unscrew the screws **B** and remove cover frame **A**.



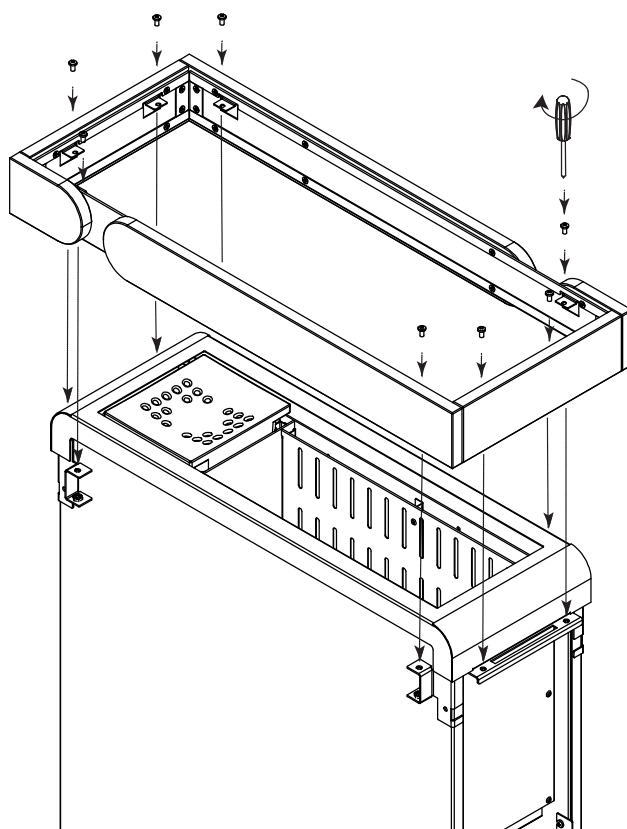
4. Unscrew the screws **C** and install with them the angle railing brackets **D**. Depending on the preferred form of the heater railing, you will need two or four angle railing brackets.
5. Install the railing bracket **E** with cover **A** using the previously removed screws **B**.



6. Depending on requirements, you can put together the heater railing in the shape of an L, U or O. To do this, use the wood screws provided.



7. Screw the side panel **F** of the wood railing flush with the side panel **G** of the bracket. If necessary, repeat this procedure on the opposite side.
8. Connect the side panel **G** of the bracket to the long bracket panel **I** with the help of the corner bracket **H**. If necessary, repeat this procedure on the opposite side.
9. Screw the long wooden railing panel **K** and the short wooden railing panel **L** to the bracket panel **I**. Make sure that it is flush with the side panel **F** of the wood railing.
10. Place the assembled heater railing on the railing bracket and affix it with the supplied rounded head screws. Thread the heater railing carefully over the cover to avoid scratching the surface.



## 5. Commissioning

### 5.1. Filling the stone container



#### **WARNING!**

#### ***Risk of fire due to overheating***

If the sauna heater is used without sauna stones, the cabin walls will become extremely hot. This could cause fires.

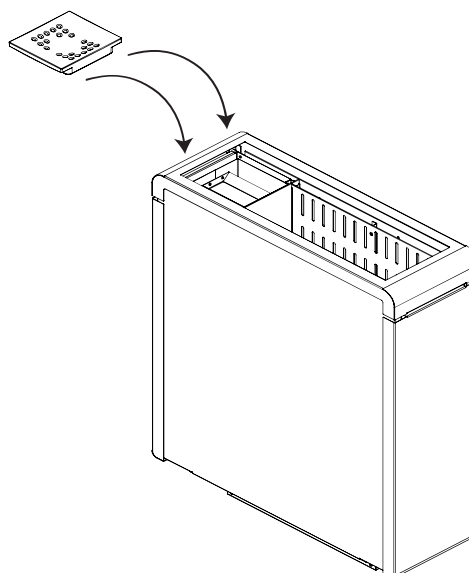
- NEVER operate the sauna heater without the sauna stones.

The amount of stones suited to your heater can be found in chapter **10. Technical data** (see page **32**).

1. Wash the stones thoroughly using water and a brush before use. Do not use any cleaning additives.
2. Before filling the heater with the sauna stones, check them for foreign objects and remove any remaining packaging.
3. Place the stones in the stone container. Place sauna stones loosely so that air can flow through the gaps.
4. Make sure that the sauna stones do not protrude beyond the edge of the stone container.

### 5.2. Inserting the ceramic bowl

- Place the ceramic bowl on the evaporator tank as shown in the illustration on the right.



### 5.3. Heating for the first time



#### **CAUTION!**

#### ***Formation of smoke and odours when heating up for the first time***

Materials used during the manufacturing process will be present on the new heating elements. These evaporate when the sauna heater is heated up for the first time. This produces smoke and an unpleasant odour. Breathing in the fumes or smoke can be harmful to your health.

Perform the following steps when **operating the sauna heater for the first time** and if the **heating elements for the sauna heater have been replaced**. This prevents damage to health due to the fumes and smoke produced when heating for the first time.

1. Heating the heating rods for the first time
  - a. Select the highest possible temperature on the sauna control unit.
  - b. Heat up the sauna heater for half an hour.  
**Do NOT remain in the sauna cabin during this period.**
2. Heating the evaporator for the first time
  - a. Select a low temperature and high humidity on the sauna control unit.
  - b. Heat up the evaporator with half the amount of water (see **Filling the evaporator** on page 27)  
**Do NOT remain in the sauna cabin during this period.**
  - c. Switch off the sauna control unit after approx. 15 minutes.
  - d. Allow the evaporator to cool (for approx. half an hour).
  - e. Empty the water tank (see **Filling the evaporator** on page 27)
  - f. Repeat step 2.b.
  - g. Allow the sauna cabin to ventilate thoroughly after heating for the first time.
  - h. If no smoke or odours form the next time the sauna heater is heated, you can start to use the sauna.  
If smoke or odours form again, leave the sauna cabin immediately, and repeat the initial heating process, followed by ventilation.



## 6. Operation

---



### **WARNING!**

#### ***Risk of fire***

Combustible objects that are placed on the heater will ignite and cause fires.

- NEVER place combustible objects on the sauna heater.
  - Make sure that NO flammable objects have been placed on the heater before operating it.
- 

A sauna control unit is used to operate the sauna heater. For information on how to operate the sauna control unit, read the operating instructions for the device used. Please note that only sauna control units without remote start functions are suitable for use with the Concept R mini combi sauna heater.

### 6.1. Finnish sauna mode

In Finnish sauna mode, only the heating system operates. Dry heat is produced. The temperature in the room is high (80 to 100 °C). The maximum humidity level of 10% is low. The temperature in the sauna cabin is regulated by your sauna control unit.

At the end of the sauna session, you can pour water over the stones. Pour water over the stones using a sauna ladle. The water evaporates and the humidity in the sauna cabin increases.

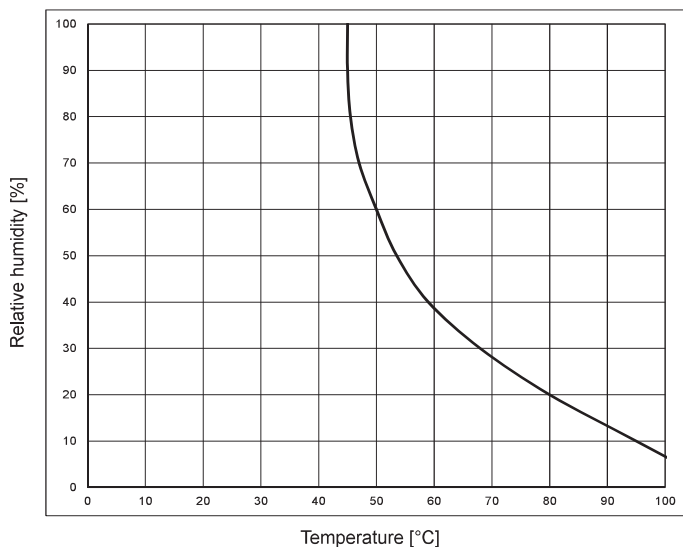
When pouring water over the stones, observe the following points:

- Only use tap water. Sea water, hard water and chlorinated water can damage the sauna heater.
- Only use fragrances and essential oils that are suitable for use in saunas. Follow the manufacturer's instructions on the packaging of the scented substance.
- Do not pour the water onto the stones too quickly. Only this way will all the water evaporate completely.

## 6.2. Combi mode

Both the heating system and evaporator operate in combi mode. The temperature in the sauna cabin is lower than in Finnish sauna mode (approx. 40 to 65 °C), with the relative humidity being considerably higher at 35% to approximately 70%. The maximum permissible relative humidity decreases with increasing temperature. The temperature and the humidity in the sauna cabin are controlled by your sauna control unit.

**Fig. 11** Characteristic for temperature/relative humidity (compliant with EN 60335-2-53)



Only settings on the lower left side of the characteristic curve are possible; e.g.: at 60%, a temperature of 50 °C cannot be exceeded.

The evaporator tank must be filled manually. If the water in the evaporator tank has been used up, an overheating protection function automatically turns off the heating of the evaporator. The lack of water is reported to the sauna control unit and displayed there, e.g. by an audible warning tone and the message "FILL".

---

### ATTENTION!

#### *Damage to the evaporator*

Sea water, hard water, chlorinated water, herbs, essences or fragrances can damage the sauna heater.

- Only fill the evaporator tank with tap water.
  - Do not put herbs, essences or fragrances directly into the evaporator tank, and only into the ceramic bowl over the evaporator.
  - Descale the evaporator regularly (see **7.6 on page 30** on page).
-

## Filling the evaporator



### CAUTION!

#### *Risk of scalding*

If you pour water into the hot evaporator tank, hot steam is created.

- NEVER pour water into the hot evaporator tank.
- Check and fill the evaporator tank each time before starting combi mode.
- If the overheating protection has switched off evaporator heating, or if your sauna control unit reports a lack of water, allow the evaporator to cool down BEFORE you pour water into the evaporator tank.



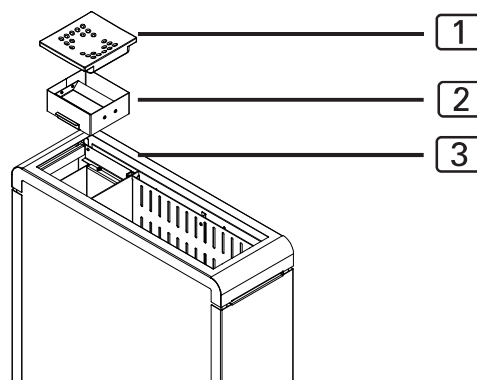
### CAUTION!

#### *Risk of scalding*

If the evaporator tank is too full, boiling water will spray out of the evaporator tank.

- Only fill the evaporator tank up to the maximum mark.

1. Remove the ceramic bowl [1] and the steam funnel [2].
2. Place a receptacle (at least 5 litres) under the ball valve at the bottom of the evaporator.
3. Turn the ball valve to the left, until the remaining water flows out.
4. When the evaporator tank [3] is empty, close the ball valve.
5. Fill the evaporator tank [3] with fresh tap water up to the maximum mark. You will need about 5 litres of water for this. This amount of water allows the evaporator to be operated for approximately 1 hour.
6. Replace the ceramic bowl [1] and the steam funnel [2].



### ***Using fragrances and herbs***

If you wish, you can put fragrances or dried herbs into the ceramic bowl. Observe the following points:

- Do not put fragrances directly into the evaporator tank.
- Carefully fill the ceramic bowl, so the fragrances do not drip into the evaporator tank through the holes in the ceramic bowl.
- Follow the manufacturer's instructions on the packaging of the herbs and fragrances.

## **7. Maintenance**

### **7.1. Extended periods of non-use**

Moisture can accumulate in the heating rods in humid ambient conditions or during long periods of non-use. This is a physical process and not a manufacturing fault. Accumulation of moisture in the heating rods can lead to the FI circuit breaker being triggered. In this case, contact an electrician to correct the fault (see chapter **9. Problem-solving by the installer**).



---

Heat the sauna heater for approximately 15 minutes every 5 to 6 weeks. This prevents moisture from building up on the heating rods during extended periods of non-use.

---

### **7.2. Cleaning the sauna heater**

Make sure that the ventilation openings are free of lint and dust. This prevents the air circulation in the sauna heater from being restricted and prevents the device from overheating.

### 7.3. Changing the sauna stones

Sauna stones are subject to stress by the water poured on them, and by large fluctuations in temperature which occur during use. The sauna stones can become weak and brittle.

Check the sauna stones at regular intervals and replace the stones at least once a year.



#### **WARNING!**

#### ***Risk of fire due to overheating***

If the sauna heater is used without sauna stones, the cabin walls will become extremely hot. This could cause fires.

- NEVER operate the sauna heater without the sauna stones.

- 
1. Remove the old sauna stones.
  2. Clear the stone container of limescale deposits, dust and other contamination.
  3. Wash the stones thoroughly using water and a brush before use. Do not use any cleaning additives.
  4. Before filling the heater with the sauna stones, check them for foreign objects and remove any remaining packaging.
  5. Place the stones in the stone container. Place sauna stones loosely so that air can flow through the gaps.
  6. Make sure that the sauna stones do not protrude beyond the edge of the stone container.

EN

### 7.4. Cleaning the evaporator tank

Drain and clean the evaporator tank after each use. Perform the following steps:

1. Wait until the water in the evaporator has cooled.
2. Place a receptacle under the ball valve at the bottom of the evaporator.
3. Turn the ball valve to the left, until the remaining water flows out.
4. When the evaporator tank is empty, close the ball valve.

5. Remove the ceramic bowl and the steam funnel.
6. Clean the evaporator tank and the steam funnel with a household brush with plastic bristles. Rinse with water.
7. Put the ceramic bowl and the steam funnel back in.

## 7.5. Cleaning the ceramic bowl

Clean the ceramic bowl for herbs and essences in the dishwasher as required.

## 7.6. Descaling the evaporator tank

Descal the evaporator tank as required. To do this, use a descaling agent for household appliances. Observe the specifications and safety information provided by the manufacturer.

1. Prepare the descaling solution according to the manufacturer's instructions.
2. Fill the evaporator with the descaling solution up to the maximum mark.
3. Allow the descaling solution to boil for 10 minutes.
4. Wait until the descaling solution in the evaporator has cooled.
5. Place a receptacle under the ball valve at the bottom of the evaporator and drain the evaporator tank.
6. Rinse the evaporator tank twice with tap water.

## 8. Disposal



- Please dispose of packaging materials in accordance with the applicable disposal regulations.
- Used appliances contain reusable materials as well as hazardous substances. Therefore, do not dispose of your used appliance with household waste, but do so in accordance with the locally applicable regulations.

## 9. Problem-solving by the installer

### *Baking out of the heating rods*

Moisture can accumulate in the heating rods in humid ambient conditions or during long periods of non-use. This is a physical process and not a manufacturing fault. Under certain circumstances, accumulation of moisture in the heating rods can lead to the FI circuit breaker being triggered.

In this case, it is necessary to bake out the sauna heater under the supervision of an electrician. To do this, the protective function of the FI circuit breaker must be switched off. The baking out procedure takes approximately 10 minutes. The safety function of the FI circuit breaker must subsequently be reactivated.

If the problem persists, consult your supplier.

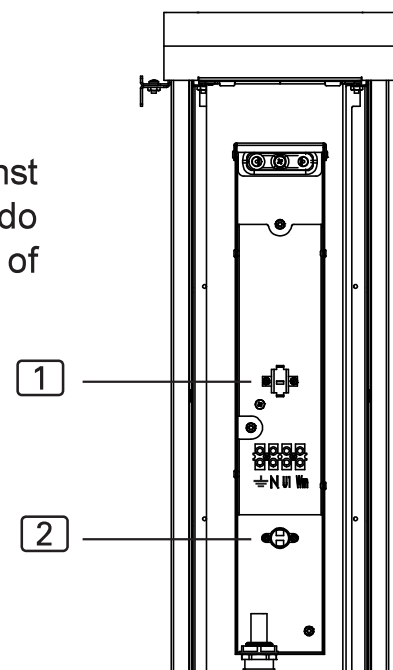
### **Resetting the overheat cut-out of the evaporator**

The temperature switch **2** is responsible for the water shortage detection function.

If a certain water level in the evaporator tank is not complied with (approx. 1 l), this temperature switch switches off the heating element. At the same time, the feedback to the WM control unit falls to 0 V – the control unit displays the message “FILL”.

The temperature cut-out **1** is used as protection against overheating. This cut-out must be reset manually. To do so, press the protruding metal contact in the middle of the temperature cut-out

- 1** temperature cut-out 150 °C (no automatic reset)
- 2** automatic reset temperature switch 110 °C



## 10. Technical data

The dimensions can be found in **Fig. 13**.

<i>Item number</i>	<i>Power rating [kW]</i>	<i>Power rating of the evaporator [kW]</i>	<i>Cabin volume [m<sup>3</sup>]</i>	<i>Amount of stones [kg]</i>	<i>Weight without stones [kg]</i>
CP-RMC-35	3.5	1.0	3 - 5	approx. 15	29.5
CP-RMC-45	4.5	1.0	4 - 6	approx. 15	29.5
CP-RMC-60	6.0	1.0	5 - 8	approx. 15	29.5
CP-RMC-75	7.5	1.5	7 - 11	approx. 15	29.5

<i>Item number</i>	<i>Minimum size of ventilation opening [mm]</i>	<i>Fuse [A]</i>	<i>Supply voltage</i>
CP-RMC-35	350 x 20	3 x 10	400 V AC 3N~ 50/60 Hz 230 V AC 1N~ 50/60 Hz
CP-RMC-45	350 x 25	3 x 10	400 V AC 3N~ 50/60 Hz 230 V AC 1N~ 50/60 Hz
CP-RMC-60	350 x 30	3 x 10	400 V AC 3N~ 50/60 Hz 230 V AC 1N~ 50/60 Hz
CP-RMC-75	350 x 35	3 x 16	400 V AC 3N~ 50/60 Hz 230 V AC 1N~ 50/60 Hz

<i>Item number</i>	<i>Heating elements</i>
CP-RMC-35	3 x CPRM115 (1-028-500)
CP-RMC-45	3 x SCA150 (1-028-518)
CP-RMC-60	3 x SAV200 (1-028-502)
CP-RMC-75	3 x CPRM250 (1-042-346)





**Fig. 12** Dimensions of the Concept R mini combi 3.5 kW, 4.5 kW, 6.0 and 7.5 kW  
 (CP-RMC-35 / CP-RMC-45 / CR-RMC-60 / CP-RMC-75)  
 Dimensions in mm

